

531

safety relief valve
for potable water



altecnic
CALEFFI group

531 safety relief valve for potable water



Application

Altecnic 531 safety relief valves are specifically designed for controlling the pressure within potable water systems and to safeguard closed storage water heaters.

When the calibrated pressure is reached, the valve opens and by means of discharging to atmosphere, prevents the pressure of the system from reaching levels which would be dangerous for the heater and the components in the system itself.

The valves have a blue control knob for visual identification of potable water.

The discharge from a safety relief valve should be via a tundish installed in accordance with water regulation G19.3 and discharge safely into a trapped gully or drain.

The Altecnic 531 safety relief valves meet the requirements of the European Directive 97/23/CE for pressurised equipment.

They are classified in Category IV and granted the CE Mark.

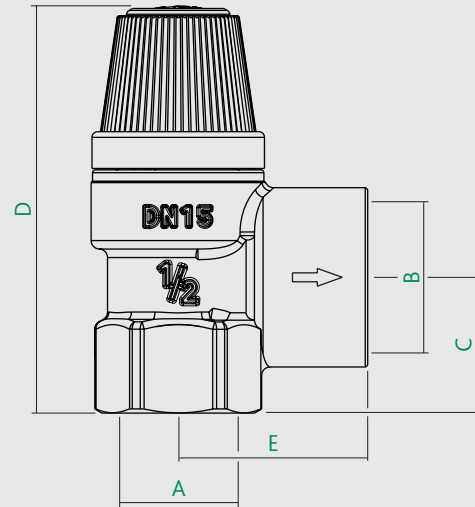
Construction Details

Components	Material	Grade
Body	Brass	BS EN 12165 CW617N
Cover	1/2" - 1"	Polymer
	1 1/4"	Brass
Stem	Brass	BS EN 12165 CW617N
Diaphragm	Elastomer	EPDM
Spring	Steel	BS EN 12270-1
Control knob	Polymer	ABS

Technical Data

Medium:	water
Temperature range:	5 to 95°C
Maximum static pressure:	10 bar
Connections:	F x F BSP
Factory set pressures:	4, 6, 8 and 10 bar
Unless specified 6 bar set pressure will be supplied.	

Dimension



Ref No	A	B	C	D	E
531460	G 1/2	G 3/4	24	72	33.5
531560	G 3/4	G 1	30	92	40.5
531660	G 1	G 1 1/4	38	144	48
531760	G 1 1/4	G 1 1/2	44	185	57.5

Ref No	Inlet	Outlet	kW	Max . Cylinder Content
531460	1/2"	3/4"	75	200 litre
531560	3/4"	1"	150	1,000 litre
531660	1"	1 1/4"	250	5,000 litre
531760	1 1/4"	1 1/2"	350	Over 5,000 litre

© Patents & Design Altecnic 2021

Altecnic Ltd retains all rights (including patents, designs and copyrights, trademarks and any other intellectual property rights) in relation to all information provided on or via the website, brochures or any other documents, including all texts, graphics and logos, contained on the website, in brochures or in any other documents published in the name of or on behalf of Altecnic Ltd in any form, without prior written consent of Altecnic Ltd.

Altecnic Ltd Mustang Drive, Stafford, Staffordshire ST16 1GW

T: +44 (0)1785 218200 E: sales@altecnic.co.uk

Registered in England No: 02095101

altecnic.co.uk

AL 435 03-08-21

E & O.E

© Altecnic Limited. 2021

ALTECNIC™

altecnic
CALEFFI group